

PASSCHIP® EAC Kone DCS

WilliamHill User Connected Destination Normal

BBC		LiftGroup1															
		A		B		C		D		E		F		G		H	
Floor		F	R	F	R	F	R	F	R	F	R	F	R	F	R	F	R
20		⊗	⊗	⊗	⊗	⊗	⊗	⊗	⊗	⊗	⊗	⊗	⊗	⊗	⊗	⊗	⊗
19		⊗	⊗	⊗	⊗	⊗	⊗	⊗	⊗	⊗	⊗	⊗	⊗	⊗	⊗	⊗	⊗
18		⊗	⊗	⊗	⊗	⊗	⊗	⊗	⊗	⊗	⊗	⊗	⊗	⊗	⊗	⊗	⊗
17		⊗	⊗	⊗	⊗	⊗	⊗	⊗	⊗	⊗	⊗	⊗	⊗	⊗	⊗	⊗	⊗
16		⊗	⊗	⊗	⊗	⊗	⊗	⊗	⊗	⊗	⊗	⊗	⊗	⊗	⊗	⊗	⊗
15		⊗	⊗	⊗	⊗	⊗	⊗	⊗	⊗	⊗	⊗	⊗	⊗	⊗	⊗	⊗	⊗
14		⊗	⊗	⊗	⊗	⊗	⊗	⊗	⊗	⊗	⊗	⊗	⊗	⊗	⊗	⊗	⊗
12		⊗	⊗	⊗	⊗	⊗	⊗	⊗	⊗	⊗	⊗	⊗	⊗	⊗	⊗	⊗	⊗
11		⊗	⊗	⊗	⊗	⊗	⊗	⊗	⊗	⊗	⊗	⊗	⊗	⊗	⊗	⊗	⊗
10		⊗	⊗	⊗	⊗	⊗	⊗	⊗	⊗	⊗	⊗	⊗	⊗	⊗	⊗	⊗	⊗
9		⊗	⊗	⊗	⊗	⊗	⊗	⊗	⊗	⊗	⊗	⊗	⊗	⊗	⊗	⊗	⊗
8		⊗	⊗	⊗	⊗	⊗	⊗	⊗	⊗	⊗	⊗	⊗	⊗	⊗	⊗	⊗	⊗
7		⊗	⊗	⊗	⊗	⊗	⊗	⊗	⊗	⊗	⊗	⊗	⊗	⊗	⊗	⊗	⊗
6		⊗	⊗	⊗	⊗	⊗	⊗	⊗	⊗	⊗	⊗	⊗	⊗	⊗	⊗	⊗	⊗
R		⊗	⊗	⊗	⊗	⊗	⊗	⊗	⊗	⊗	⊗	⊗	⊗	⊗	⊗	⊗	⊗

Release Date: 2023-01-12

Version: 1.0.2

The integration of Access Control Systems with Kone DCS aims to provide a seamless and secure access management solution for commercial and residential buildings. This collaborative system ensures enhanced security, efficiency, and convenience by combining the advanced features of Access Control Systems with the vertical transportation capabilities of Kone DCS Elevator System.

Functions

Access Control Synchronization:

The integration ensures seamless synchronization between Access Control Systems and Kone DCS, allowing users with authorized access to move seamlessly within the building.

Elevator Call Prioritization:

Based on user access levels, the system prioritizes elevator calls, optimizing vertical transportation to enhance efficiency and user experience.

Two-way Communication:

Access Control Systems and Kone DCS communicate in real-time, enabling immediate updates to user permissions and ensuring a quick response.

Centralized Management:

Administrators can centrally manage access control and elevator configurations through a unified interface, streamlining the configuration process and reducing the risk of errors.

Audit Trail and Reporting:

Detailed audit trails and reports provide administrators with insights into access and elevator usage.

Benefits

Enhanced Security:

By integrating Access Control Systems with Kone DCS, the overall security of the facility is strengthened through synchronized access permissions and real-time communication.

Improved Efficiency:

The integration optimizes the flow of people within the building, reducing wait times and enhancing overall efficiency. Elevator call prioritization ensures that authorized users experience minimal delays.

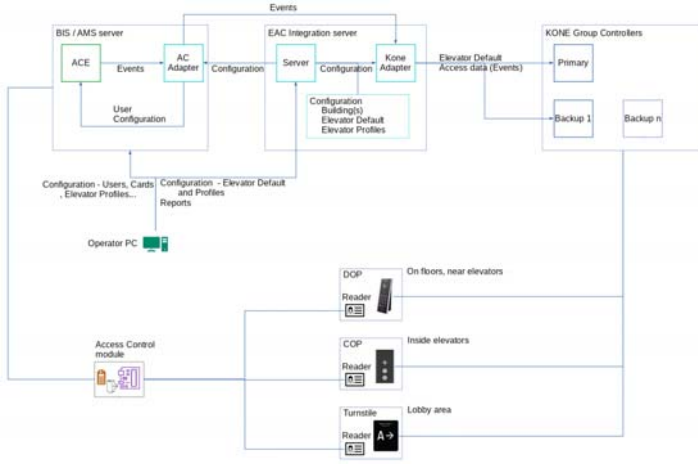
Centralized Control:

Administrators benefit from a centralized management interface, simplifying the configuration process and ensuring that access and elevator settings are easily monitored and adjusted as needed.

Seamless User Experience:

End-users experience a seamless and convenient journey within the building, with synchronized access control and elevator functions ensuring a smooth and secure flow from entry points to designated floors.

Installation



Ordering

- PCEACKD 100/1: EAC Server License – hardware key
- PCEAC Server: Linux Server

Warranty

- 2 years from delivery for software:
 - Bugfixes
 - Updates
- 2 years from delivery for hardware

Technical Specifications

EAC Integration Server	Minimum requirements
Communication	Ethernet 100 Base-TX
Memory	8 GB DRAM
CPU	Intel i5
Operating System	Windows 10, Debian 10
Supported Access Control Systems	
	Bosch BIS, AMS
	Siemens SiPass
	Impro Access Portal
Supported Elevator systems	
	Kone DCS